



**UNIVERSAL ELECTRIC DOOR RELEASE KIT  
FOR USE WITH 12 VOLT AUTOMOTIVE ELECTRICAL SYSTEMS  
#6188**

## **Installation Instructions**

This kit is designed to eliminate door handles, replacing them with electrical push button switches that can be mounted virtually anywhere inside and outside on vehicle to open the doors.

### **Electric Solenoid Installation**

1. Carefully remove door panels. Actuate door handle and note movement of latch mechanism. Most door latch mechanisms release when moved downward. Disconnect and remove actuating rod from door handle and latch mechanism.

Lubricate door latch mechanism using lithium or white grease to insure that latch mechanism releases easily. This will also prolong the life of electric solenoid.

2. Using the supplied hook assembly, slide the clasp down exposing hook and insert into 3/16" hole at top of latch mechanism or 1/8" hole in lever attached to latch mechanism. Be sure hook assembly moves freely.

3. Select a proper location inside of door to mount solenoid that is in-line and directly underneath or above latch mechanism (the release direction) as required. Mark and center-punch hole locations for mounting bracket. Drill two (2) 3/16" holes and deburr using a file.

4. Install mounting bracket(s) using two (2) supplied #12 sheet metal screws. Use auxiliary bracket to mount solenoid bracket to if necessary (two (2) 3/16" X 3/8" screws are supplied to secure solenoid bracket to auxiliary bracket). Be sure there is no interference with internal door components or window movement. Slide solenoid into bracket and tighten the top two (2) bracket screws. Be sure solenoid is secured, cable is in-line and reaches the hook assembly connected to latch mechanism. (Refer to Figure 1).

5. Remove hook assembly from latch mechanism and insert solenoid cable thru lock bolt, do not tighten lock bolt at this time. Adjust the length of solenoid cable by re-installing hook assembly to latch mechanism. Pull cable through the lock bolt to it's full extent, then return it 1/8". Tighten lock bolt using a 5/16" open end wrench and small flat blade screwdriver.

**Note:** If solenoid cable has too much slack, the solenoid will not release latch mechanism and door will remain closed. If solenoid cable has too little slack, the latch mechanism will remain in the released (open) position.

### **Electrical Push Button Switch Installation**

1. Four (4) electrical push buttons switches are supplied. Two (2) for each door, mount one (1) on the inside and one (1) on the outside of vehicle.

2. Mark and center-punch mounting holes at desired locations. Drill a 1/2" hole and deburr using a file. Remove nut from switch housing and insert threaded end thru hole, re-install nut on switch housing and tighten securely.

### **Electrical Wiring Connections**

In some applications wires may need to be shortened or lengthened as required. When adding additional lengths of wire, use automotive grade 16 gauge wire the same as supplied in electrical wiring kit. Allow additional wire length to compensate for opening and closing of doors.

Insulation must be stripped 1/4" off end of each wire and solderless electrical terminals or butt connectors must be attached using an electrical wire terminal crimping tool. Pull test all wires to be sure all connections are secure. Use supplied wire casing (cut in two (2) pieces) to route electrical wires thru door hinges and into body of vehicle.

The electrical connections are designed and written for wiring two (2) doors.  
(Refer to the Electrical Wiring Diagram in Figure 2).

**1. Black Wire 16ga:** Strip 1/4" off end of wire, insert wire into supplied ring terminal and crimp securely.

Connect female terminal to either terminal located on electrical solenoid. Connect ring terminal to a good negative "ground" (metal surface) source. If there is not an existing "ground" source, select a good location and remove paint to bare metal. Mark and center-punch mounting hole at desired location. Drill 1/16" hole and deburr using a file. Attach ring terminal using supplied #8 sheet metal screw.

**2. Green Wire 16ga:** Measure 2" down from female terminal on all four (4) wires and cut wire. Strip 1/4" off two (2) of the short wires that have the female terminal attached. Attach butt connector to end of each wire and crimp securely. Discard the other two (2) short wires that have female terminals attached.

Strip 1" off end of each long length of wire that has a spade terminal attached. Twist two (2) of the wire ends together creating one common wire. Trim to 1/4" length, insert into other end of butt connector and crimp securely to create a "Y" connection.

Connect female terminal to the remaining terminal located on electrical solenoid.

Connect wire ends with spade terminals attached to one side of each of the push button switches.

**3.** Locate fuse block, refer to vehicle manufacturers service manual if necessary for location. Using a test light, check for an available continuous 12 volt power source (BAT) in the fuse block.

**4. Red Wire 16ga:** Cut off female terminal on all four (4) wires and strip 1/4" off end of each wire. Attach supplied ring terminals to one end each on two (2) of the wires and crimp each securely.

Twist ends of the remaining two (2) wires together creating one common wire. Insert into one of the two correct supplied electrical terminals and crimp securely.

**Note:** There are two (2) different types of electrical terminals supplied, one (1) female and one (1) male. Use the one that will connect properly to the 12 volt electrical power source in the fuse block.

Connect wires with ring terminal ends to remaining terminal on each push button switch located on the inside of vehicle.

Connect two (2) wires with spade terminal ends to remaining terminal of each push button switch located on outside of vehicle. Connect remaining two (2) wires with spade terminal ends to push button switches mounted inside of vehicle, onto the same terminal as the wire with ring terminal connected to it.

**Note:** The push button switches located on the inside of vehicle require two (2) red wires. One with a ring terminal and one with a spade terminal connected to the same terminal on one side of each push button switch.

Connect power lead wire to a continuous 12 volt power source in fuse block. The fuse holders contain a 15 amp fuse.

### **Test Procedure**

When the door release kit has been completely installed, make the final adjustment for solenoid cable and tighten the lock bolt securely. Once this has been done and the doors are operational, be sure the lock bolt is tightened securely. If any excess cable remains, cut it off leaving 2" extended thru lock bolt to be used for future adjustment. Re-install door panels.

Before testing door operation, leave the windows down so you are not accidentally locked out of vehicle if solenoid cable is not adjusted properly.

**Note:** There will be miscellaneous hardware that is leftover and not used in this application, please discard these components.

Fig. 1

SOLENOID INSTALLATION

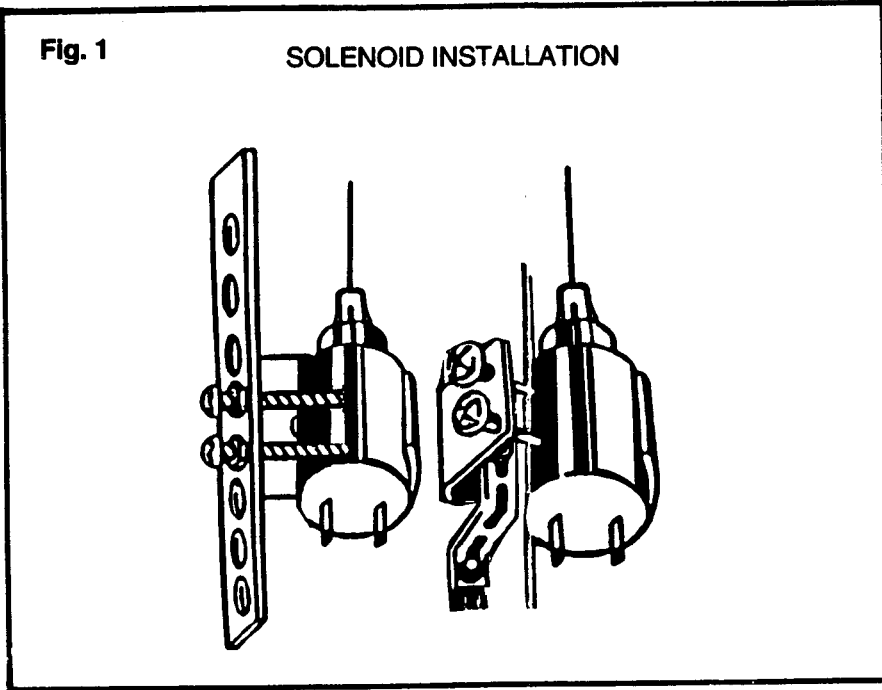
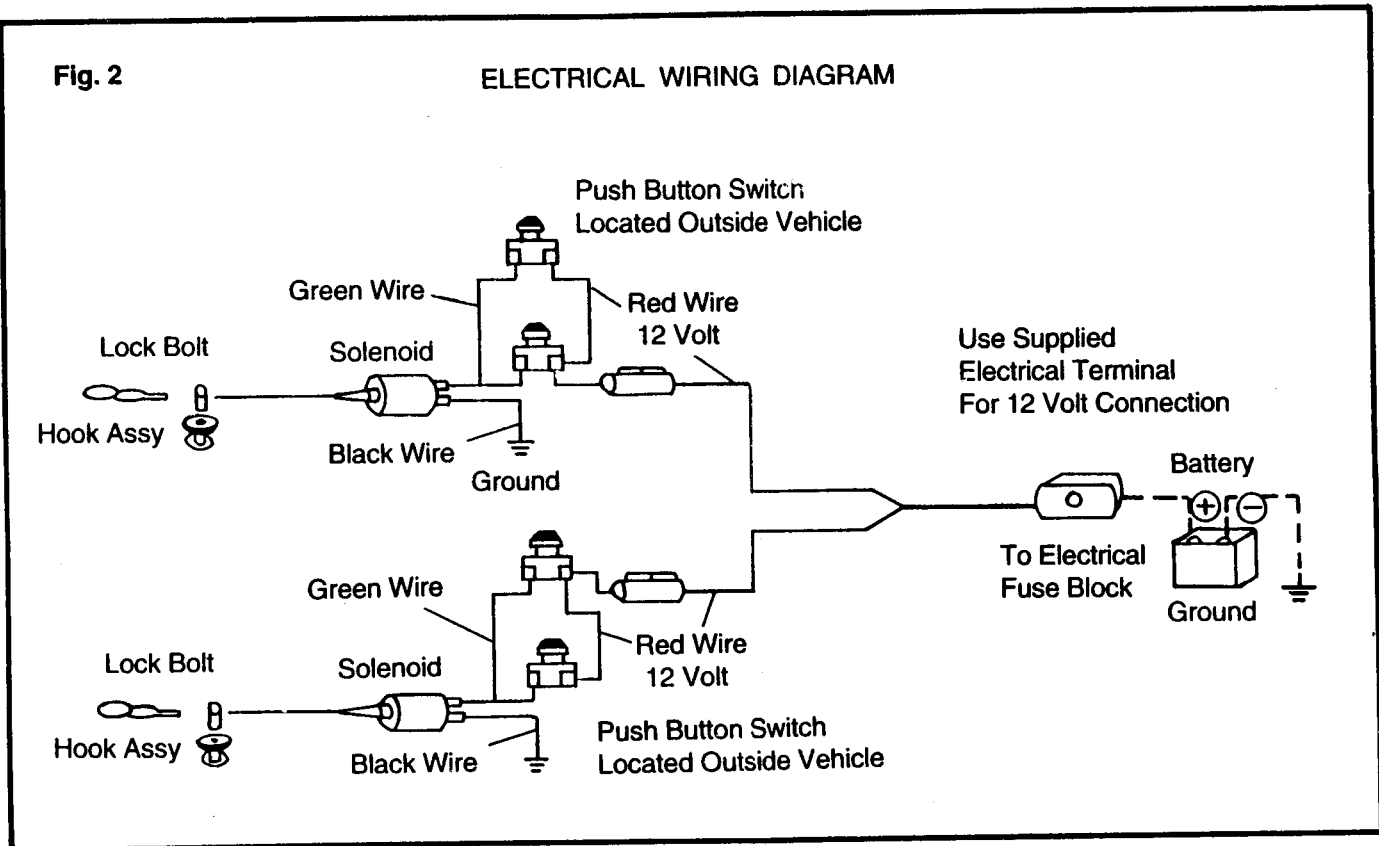


Fig. 2

ELECTRICAL WIRING DIAGRAM



Technical Service

A highly trained Technical Service Department is maintained by Mr. Gasket Co. to answer your technical questions, provide additional product information and offer various recommendations. See your local retailer of Mr. Gasket products for specific prices.

For best results, Technical Service calls, correspondence and warranty questions should be directed to the following address: Mr. Gasket Co. 10601 Memphis Ave., #12 Cleveland, Ohio 44144  
Phone: 216.688.8300 8:30 A.M.- 5:00 P.M. EST Monday-Friday