



THE PERFORMANCE PEOPLE

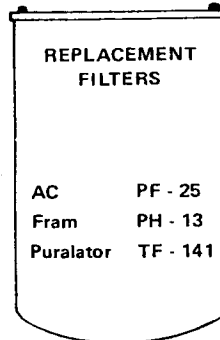
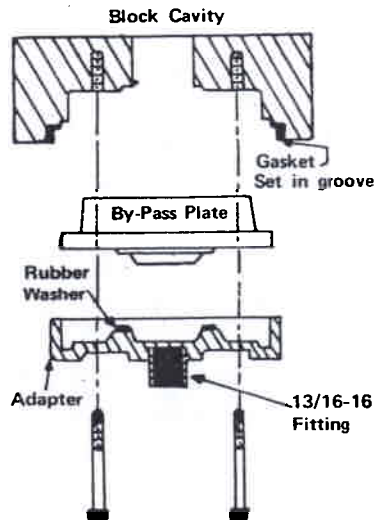
OIL FILTER CONVERSION KIT

#1270

INSTALLATION
INSTRUCTIONS

FOR CHEVY V-8 67 & EARLIER

- Remove old filter assembly, (retain by-pass plate).
- Remove old gasket positioned in block groove.
- Clean groove, block cavity and by-pass plate thoroughly with solvent.
- Place LOCTITE® stud and bearing mount (Mr. Gasket #1070) on all threads of adapter and screw the 13/16-16 fitting in by hand.
- Install gasket in block cavity groove being sure that it is not twisted.
- Place rubber washer on adapter as shown, then position by-pass plate on adapter, align holes, then bolt assembly to block. Be sure to use LOCTITE® on these mounting bolts also.



MG 214