

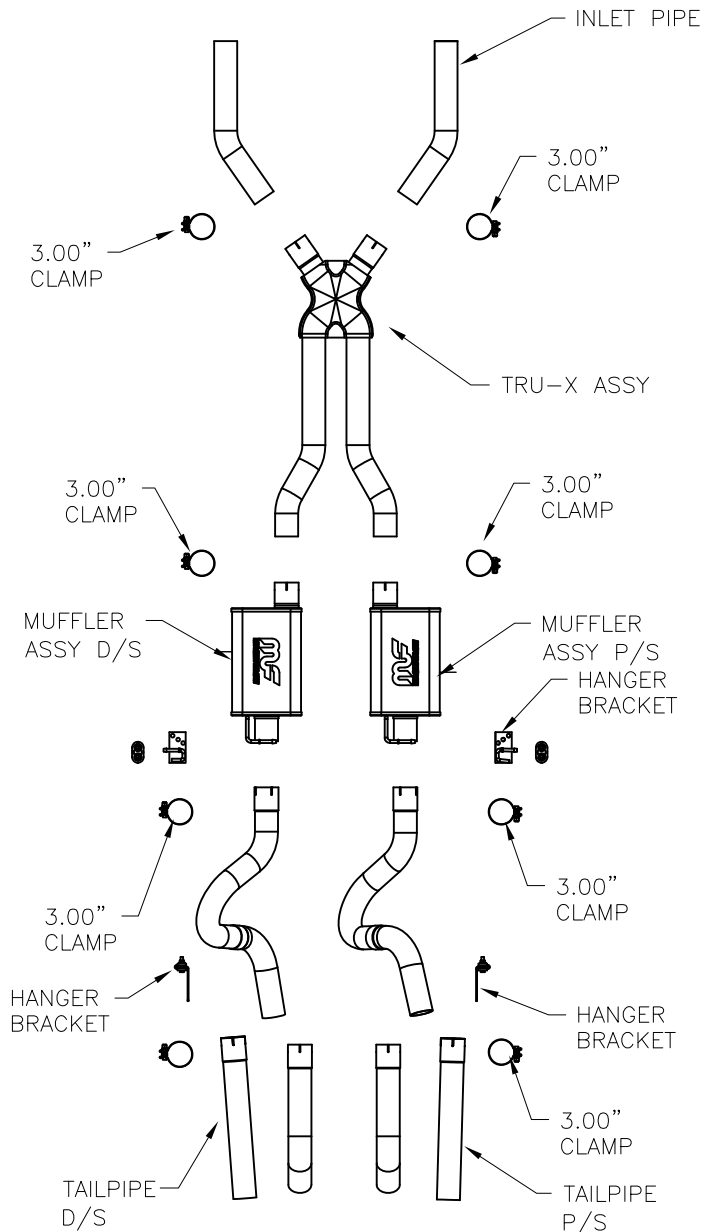
### '67-'70 FORD MUSTANG 3.00"

**Warning:** When working on, under, or around any vehicle exercise caution. Please allow the vehicle's exhaust system to cool before removal, as exhaust system temperatures may cause severe burns. If working without a lift, always consult vehicle manual for correct lifting specifications. Always wear safety glasses and ensure a safe work area. Serious injury or death could occur if safety measures are not followed.

#### **Step 1:** (Carefully read all instructions before installation)

Disconnect the vehicle's battery before removal of the OEM exhaust system. This will allow the computer to reset itself with the new system, and prevent electrical accidents, if it applies to the vehicle. Remove the OEM exhaust system from the exhaust manifold/headers. Some systems may need to be cut to aid in the removal of the OEM system. Take notice of the axle position and brake line positions prior to cutting.

**Step 2:** Begin installing the new system by fitting the new mufflers, tailpipes and tru-x assembly into place for a mock up fitment, as shown to the left. This will help to determine where to drill the frame or floorboards for the muffler and tailpipe mounting brackets as shown in Fig. 1 & 3. If the OEM mounting points will not work, fasteners are supplied to be used in place of the hex head bolts if required. Use a 1/2", drill bit for the bolt/nut combo, or use a 5/16" drill bit for the tri-lobular sheet metal screws. You should now also be able to determine where to trim and or modify the inlet pipes if needed. With the system loosely installed, adjust the components for at least 1/2" clearance, including areas with moving parts (axle, driveshaft, etc.). Once a proper fit for the complete system has been achieved using the supplied clamps, the inlet pipes can be welded to the manifold or header flanges. Once the tailpipe brackets are bolted in place as shown in Fig. 3, they can be bent and welded to the tailpipe.



\*MAGNAFLOW Performance Exhaust recommends professional installation on all their products

Technical support: 1-800-959-9226 ext. 4500

'67-'70 FORD MUSTANG 3.00"



FIG. 1

**Warning:** When working on, under, or around any vehicle exercise caution. Please allow the vehicle's exhaust system to cool before removal, as exhaust system temperatures may cause severe burns. If working without a lift, always consult vehicle manual for correct lifting specifications. Always wear safety glasses and ensure a safe work area. Serious injury or death could occur if safety measures are not followed.

**Step 3:** With all components mounted loosely, adjust the system for overall aesthetics and clearance of frame & bodywork. (MAGNAFLOW recommends at least 1/2" of clearance between the exhaust system and any body panels to prevent heat-related body damage or fire.)

**Step 4:** Once a final position has been chosen for the new system, evenly tighten all fasteners from front to rear. The supplied band clamps must be VERY tight to properly align the pipes and prevent leaks (approximately 40ft. lbs.). Inspect all fasteners after 25-50 miles of operation and retighten if necessary.

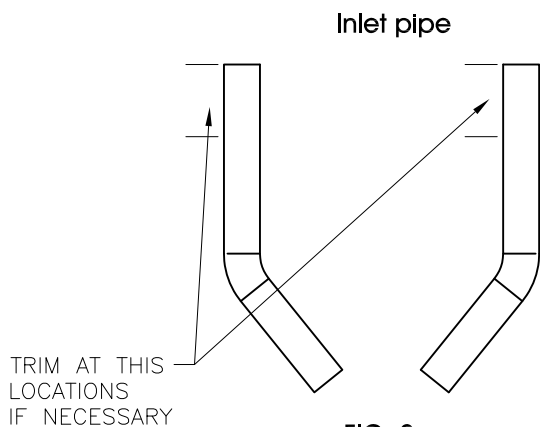


FIG. 2

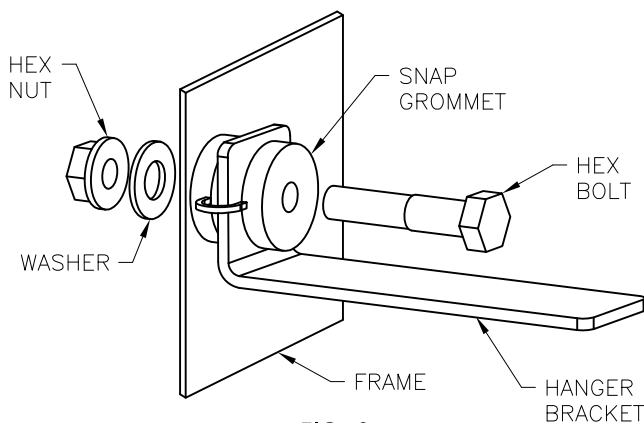


FIG. 3

\*MAGNAFLOW Performance Exhaust recommends professional installation on all their products

Technical support: 1-800-959-9226 ext. 4500