

INSTALLATION INSTRUCTIONS

MODEL NO. 81712

Rev. 1

APPLICATION: 2005-09 Hummer H3 (Excludes Truck Model)

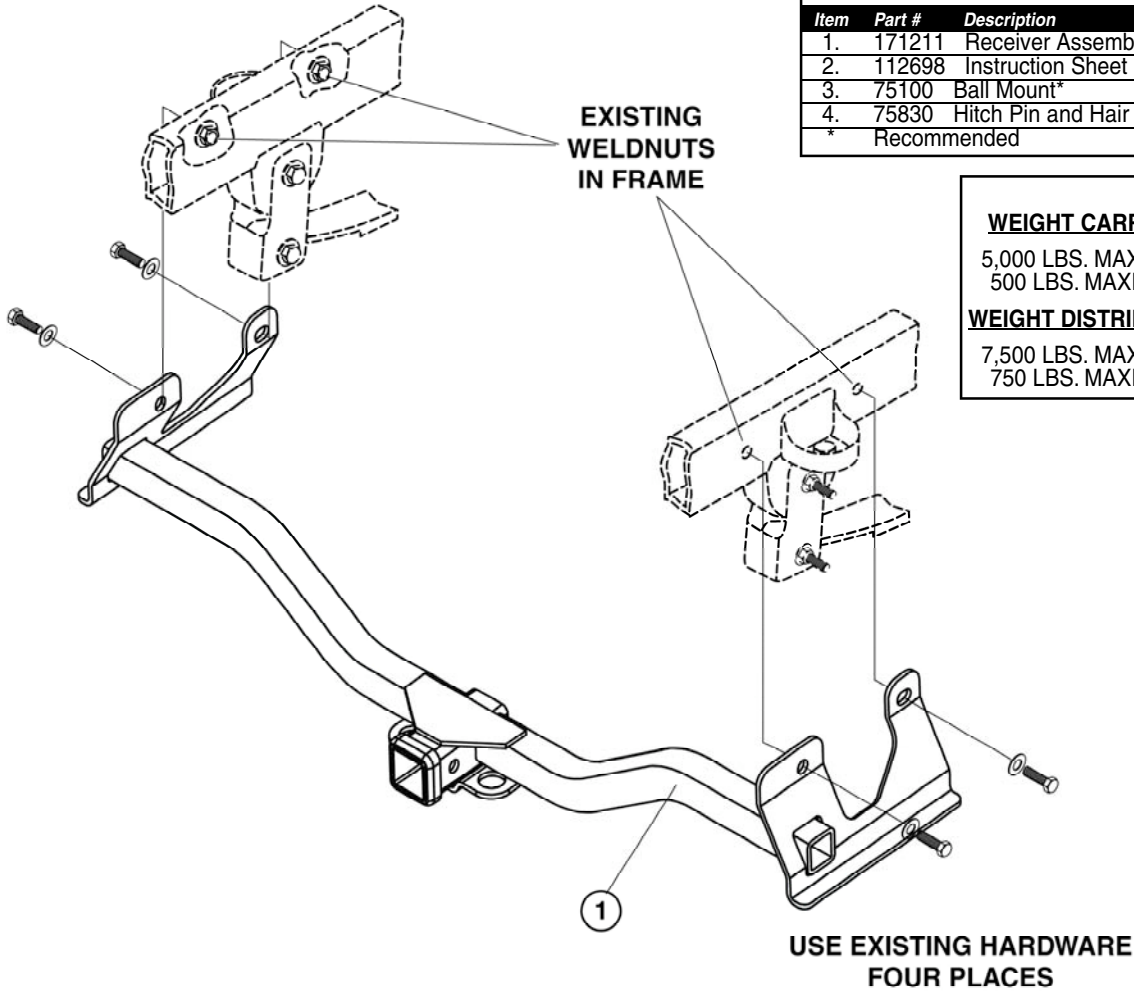
WARNING: Although this hitch is designed to safely tow its rated load, we recommend that you consult your vehicle owner's manual for possible manufacturer's recommendations or limitations. Trailer brakes are recommended for towing loads in excess of 1500 lbs. Always follow the manufacturer's installation instructions and always install on the specified vehicle. Before installing hitch, check that the attachment points are in good condition. Failure to follow these guidelines will void warranty. Any modifications to this hitch will void warranty.

WARNING: Use only a 5/8" diameter hitch pin with locking device to secure a ball mount in this receiver. Be sure to check the hitch pin and hair pin for positive locking placement before towing trailer.

NOTE: Some states require a clear view of license plates. Remove trailer ball and/or ball mount when not in use if it restricts view.

COMPLETE PARTS LIST			
Item	Part #	Description	Quantity
1.	171211	Receiver Assembly	1
2.	112698	Instruction Sheet	1
3.	75100	Ball Mount*	1
4.	75830	Hitch Pin and Hair Pin*	1
* Recommended			

CLASS III
WEIGHT CARRYING HITCH CAPACITY
5,000 LBS. MAXIMUM TRAILER WEIGHT 500 LBS. MAXIMUM TONGUE WEIGHT
WEIGHT DISTRIBUTING HITCH CAPACITY
7,500 LBS. MAXIMUM TRAILER WEIGHT 750 LBS. MAXIMUM TONGUE WEIGHT



1. Begin hitch installation by locating the 4 mounting places on vehicle frame. Remove the existing Bolts and washers from outside of each frame. Retain bolts and washers for installation of hitch.
2. Position the hitch assembly #1 up against the outside of the vehicle frames and align the two holes on each of the hitch brackets with the 2 holes on each vehicle frame.
NOTE: Lowering exhaust may ease installation.
3. Install previously removed Hex Bolts and Washers into existing weldnuts in vehicle frame.
4. Tighten all Hex Bolts to 104 ft. lbs. torque. Failure to tighten bolts as described may result in fastener loss or failure.

For information regarding the installation of this product, go to: www.towingsupport.com
or Email us at: tech@towingsupport.com or Call our Technical Support Team at: 1-800-344-3230

This product complies with regulation V-5, C.S.A Standard D-264 and safety requirements for connecting devices and towing systems of the State of New York