

WARNING

Although this hitch is designed to safely tow its rated load, we recommend that you consult your vehicle owner's manual for possible manufacturer's recommendations or limitations. Always follow the manufacturer's installation instructions and always install on the specified vehicle. Before installing hitch, check that the attachment points are in good condition.

Failure to follow these guidelines will void warranty. Any modifications to this hitch will void warranty.

WEIGHT CARRYING HITCH CAPACITY

4000 LBS. MAXIMUM TRAILER WEIGHT
400 LBS. MAXIMUM TONGUE WEIGHT

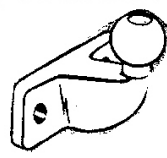
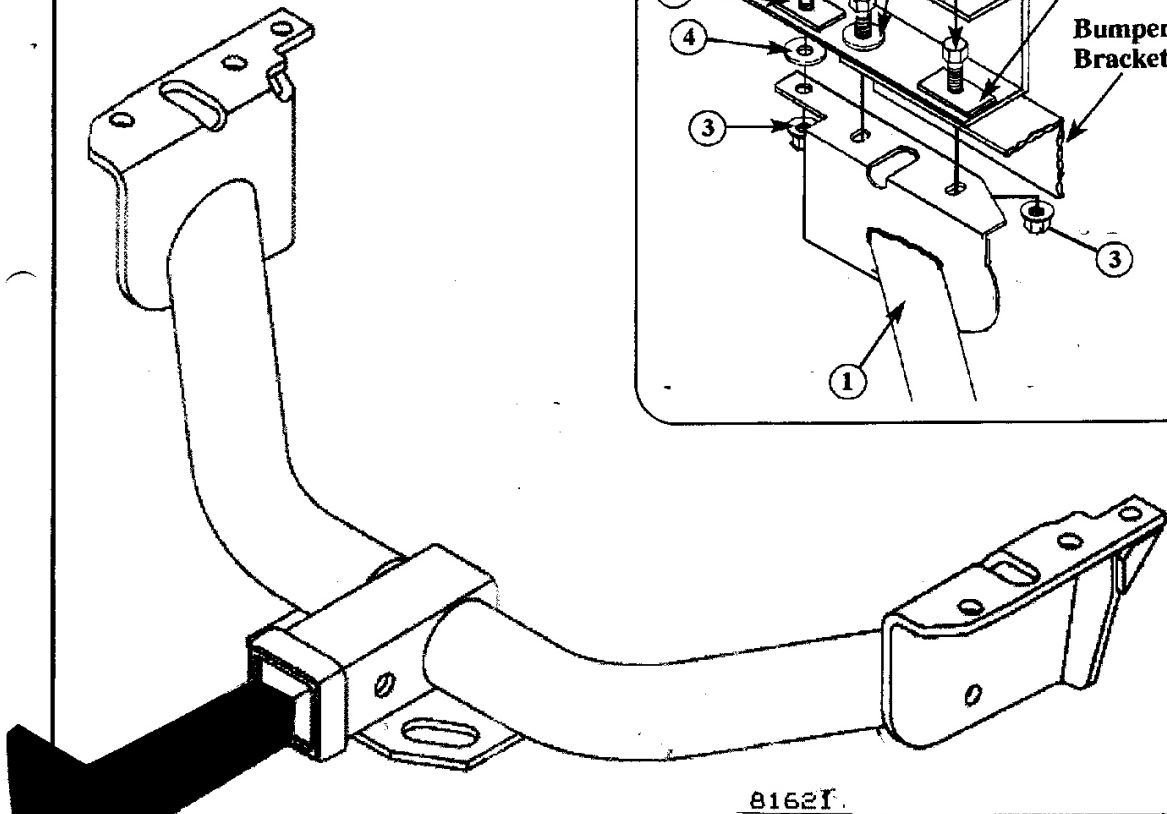
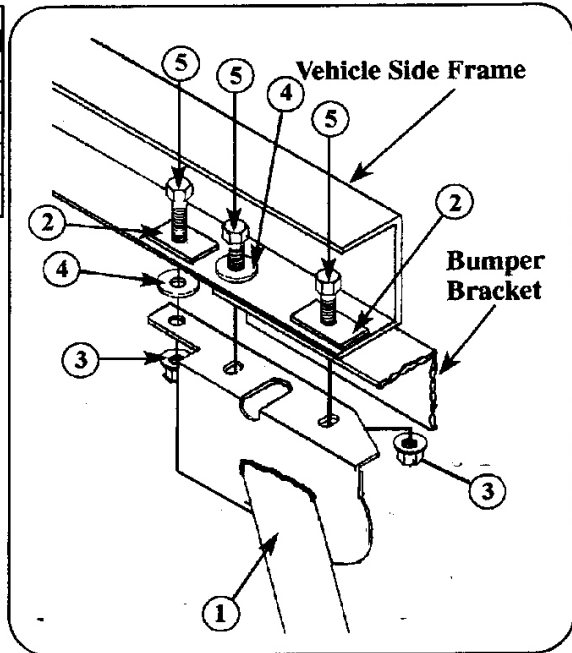
WEIGHT DISTRIBUTING HITCH CAPACITY

6000 LBS. MAXIMUM TRAILER WEIGHT
600 LBS. MAXIMUM TONGUE WEIGHT

Trailer brakes are recommended for towing loads in excess of 1500 lbs.

COMPLETE PARTS LIST

Part	Description	Quantity
1.	Receiver Assembly	(1)
2.	1001-03 3/16 Plate	(4)
3.	1828-03 1/2-13 Flange Nut	(6)
4.	3119-03 1/2 HD Flatwasher	(4)
5.	1836-03 1/2-13 x 1-1/2 Hex Bolt GR 5	(6)



Einzelabnahme
AHK muß bei einer Prüfstelle vorgeführt werden.